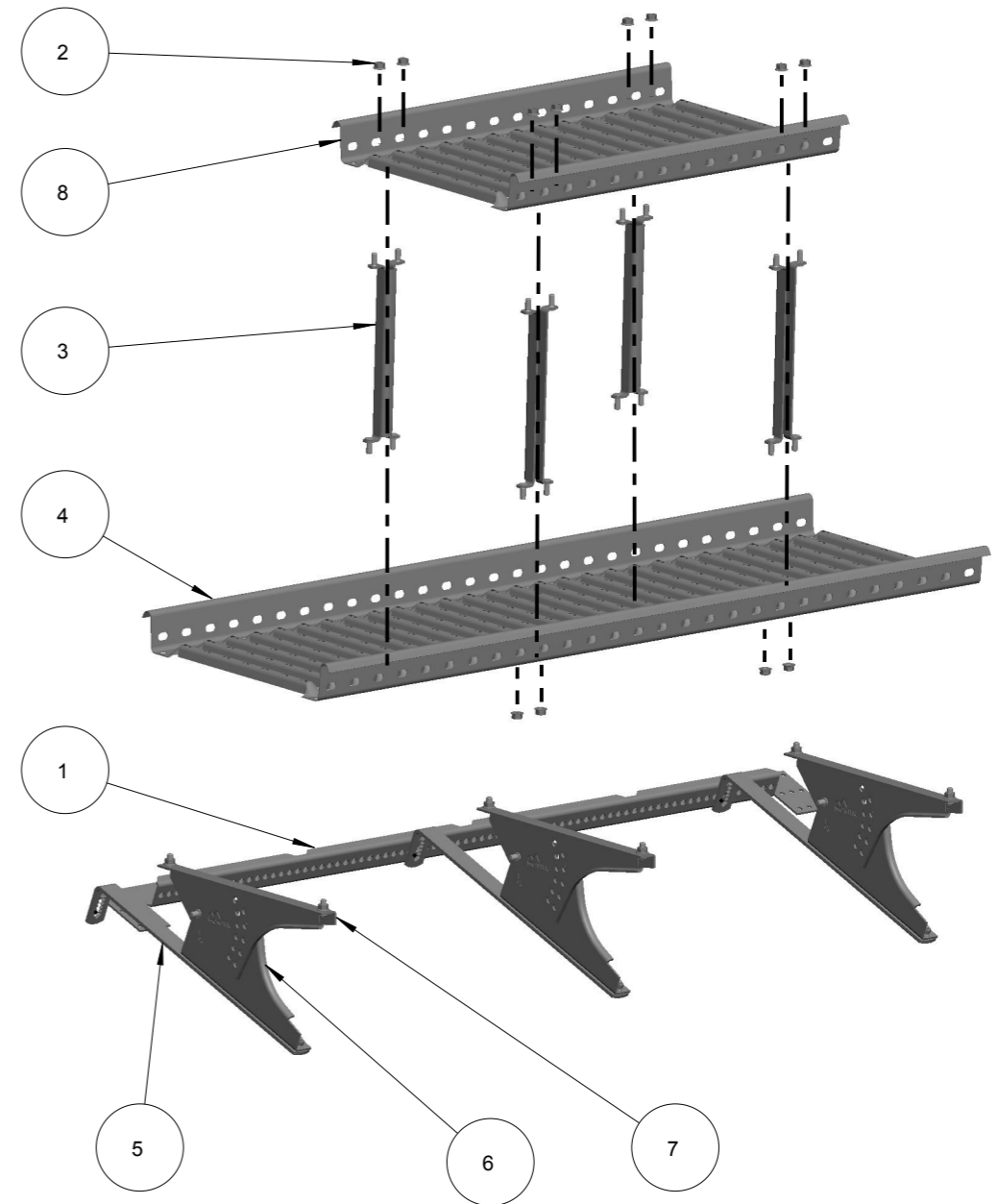


This document and its contents are the exclusive property of Monier Roofing AB and may not be copied, reproduced, transmitted or communicated to a third party, nor used for any purpose without written permission from Monier Roofing AB. Contravention will be prosecuted.



| No | QTY | P/N | Description |
|----|-----|----------------------|--------------------------------|
| 1 | 1 | 0380-3-029 | Fixing rail universal |
| 2 | 16 | 0380-4-002 | Nut M8 |
| 3 | 4 | 0380-2-020 | Step connection walkway |
| 4 | 2 | 0380-3-087 to 088 | Walkway 1.2m, 2.4m |
| 5 | 3 | 0380-2-030, 032, 031 | Bracket to fixing rail 1, 2, 3 |
| 6 | 3 | 0380-2-019 | Walkway console lower |
| 7 | 3 | 0380-2-011 | Walkway console upper |
| 8 | 1 | 0380-3-089 | Step walkway |

| | | | | | |
|-------------------------|------------|-----------------------------------|--------------|--------------------|------------|
| Material | | Surface treatment | | Scale | 1:10 |
| - | | - | | | |
| Machined surfaces class | | Tolerance unless otherwise stated | | Sharp edges broken | |
| m | | ISO 2768-m | | 0,1-0,3 | |
| Drawn | Drawn date | Checked | Checked date | Approved | Appr. date |
| KrHo | 05-Sep-12 | - | - | | |
| | | | | Drawing name | |
| | | | | Step Walkway | |
| | | | | Drawing no. | |
| | | | | 0380-1-007 | |
| | | | | Lifecycle-Revision | |
| | | | | Concept-1 | |

| Rev. | Notes | Date | Sign. |
|------|-------|------|-------|
| | | | |